

WATER FILTRATION SOLUTION

CATALOGUE 2026

Discover our complete range of water treatment solutions. With over 20 years of expertise, we provide innovative and reliable filtration systems designed to meet the most demanding requirements of both residential and professional sectors.



TABLE OF CONTENTS

1	<u>Patented filter housing innovation Hydro105</u>	p2
2	<u>Filter housing systems</u>	p6
	3 Part filter housing - Professional series	p7
	2 Part filter housing - Standard series	p10
	Compact solutions	p13
	Brass & Self cleaning series	p15
	Big filter housing series	p15
3	<u>Raw materials & in-house media production</u>	P19
	Polyphosphate crystals	p20
	Silico-Polyphosphate crystals	p21
	Wound string filtration media	p22
4	<u>Cartridge Technologies</u>	p23
	Sediment Filtration	p24
	Anti-Scale Solutions & anti-taste and odor solutions	p28

Patented filter housing innovation Hydro105



Easy waterproofing



Easy switch from simplex, duplex, triplex...



Easy switch in/out from 1/2" up to 1"



Scan me for demo

Hydro105 components



Description

Hydro105 is specifically designed as a fully modular filtration system. Each component — head, transparent SAN sump, ring, clips and fittings — is engineered to be assembled and configured according to your needs. This allows you to build simplex, duplex or triplex systems, adapt connection sizes (1/2", 3/4" or 1"), and easily upgrade or reconfigure installations over time. The modular design reduces stock complexity, lowers maintenance costs and minimizes downtime. Manufactured from drinking-water-approved materials, Hydro105 ensures safe, reliable and long-lasting performance.

Technical specifications

- Maximum operating temperature:** from + 5°C to + 50°C
- Maximum operating pressure:** 10 bar
- Male threaded fitting:** Reinforced Polypropylene
- Head:** Reinforced Polypropylene
- Head Colors:** Blue, Black, White (other colors available on demand for large orders)
- Bowl:** San or PT
- Certification:** D.M. No. 174 & A.C.S.



Bowl & head without connectors

Range of available products

Product Name	Size	Article code
Hydro 105 bowl & head blue	5" height	FP3HYDRO105-S-5-B
Hydro 105 bowl & head blue	7" height	FP3HYDRO105-S-7-B
Hydro 105 bowl & head blue	8" height	FP3HYDRO105-S-8-B
Hydro 105 bowl & head blue	9"3/4 height	FP3HYDRO105-S-934-B
Hydro 105 bowl & head blue	20"	FP3HYDRO105-S-20-B
Hydro 105 in/out connection - 1/2" - Black	1/2" in/out	ACC-HYDRO105-IOC-12
Hydro 105 in/out connection - 3/4" - Black	3/4" in/out	ACC-HYDRO105-IOC-34
Hydro 105 in/out connection - 1" - Black	1" in/out	ACC-HYDRO105-IOC-10
Hydro 105 double connection - Black	N/A	ACC-HYDRO105-DC-10
Product Name	Size	FP3HYDRO105-S-934-12-B



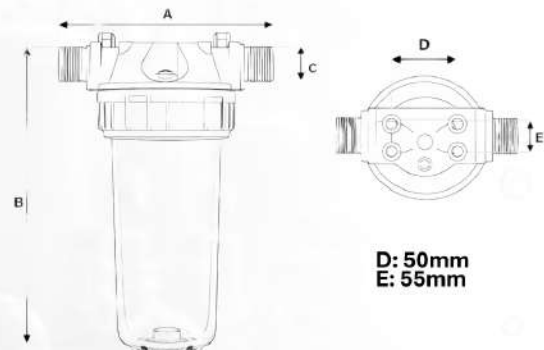
In/Out connectors



Double connector (for duplex, triplex...)



Bracket



3-Part filter housing Hydro105



Description

Three-part plastic filter housing (head, sump and ring) designed for domestic and technical water treatment applications, suitable for potable and non-potable water. Manufactured from high-quality materials approved for contact with drinking water, it ensures safety, durability and long service life. The transparent SAN bowl provides instant visual inspection of the cartridge and simplifies maintenance. The clip system allows quick fitting changes ($\frac{3}{4}$ " to 1") and easy conversion from simplex to duplex or triplex setups. Patented hexagonal ports ensure a stronger, more secure connection. ECO version without metal inserts.

Technical specifications

Maximum operating temperature: from + 5°C to + 50°C

Maximum operating pressure: 10 bar

Male threaded fitting: Reinforced Polypropylene

Head: Reinforced Polypropylene

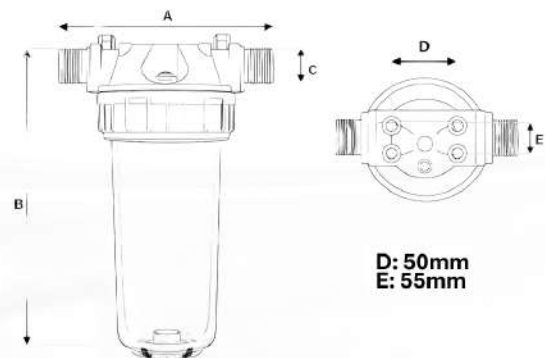
Head Colors: Blue, Black, White (other colors available on demand for large orders)

Bowl: San or PT

Certification: D.M. No. 174 & A.C.S.

Range of available products

Dimension (B)	Connection (C)	Width (A)	Master Box	Article code
5"	1/2"	177	24	FP3HYDRO105-S-5-12-B
5"	3/4"	177	24	FP3HYDRO105-S-5-34-B
5"	1"	177	24	FP3HYDRO105-S-5-10-B
7"	1/2"	177	18	FP3HYDRO105-S-7-12-B
7"	3/4"	177	18	FP3HYDRO105-S-7-34-B
7"	1"	177	18	FP3HYDRO105-S-7-10-B
8"	1/2"	177	12	FP3HYDRO105-S-8-12-B
8"	3/4"	177	12	FP3HYDRO105-S-8-34-B
8"	1"	177	12	FP3HYDRO105-S-8-10-B
9"3/4	1/2"	177	12	FP3HYDRO105-S-934-12-B
9"3/4	3/4"	177	12	FP3HYDRO105-S-934-34-B
9"3/4	1"	177	12	FP3HYDRO105-S-934-10-B
20"	1/2"	177	6	FP3HYDRO105-S-20-12-B
20"	3/4"	177	6	FP3HYDRO105-S-20-34-B
20"	1"	177	6	FP3HYDRO105-S-20-10-B



Additional products

Product Name	Size	Article code
Bracket FP3 - Blue	N/A	ACC-BRA-FP3-S
Universal Wrench - Blue	N/A	ACC-WR-UNIV
Wrench FP3 - Blue	N/A	ACC-WR-FP3
O-ring FP3 - Black	N/A	ACC-ORING
By-pass FP3	N/A	ACC-BYP-FP3

3-Part duplex filter housing H105



Description

Three-part duplex plastic filter housing designed for domestic and technical water treatment of potable and non-potable water. Manufactured from high-quality materials approved for drinking water contact, it ensures durability, safety and long service life. The two transparent SAN sumps allow immediate visual inspection and easy maintenance. The clip system enables quick fitting changes ($\frac{3}{4}$ " to 1") and simple configuration upgrades. Patented hexagonal ports provide stronger, more secure connections. ECO version without metal inserts.

Technical specifications

Maximum operating temperature: from + 5°C to + 50°C

Maximum operating pressure: 10 bar

Male threaded fitting: Reinforced Polypropylene

Head: Reinforced Polypropylene

Head Colors: Blue, Black, White (other colors available on demand for large orders)

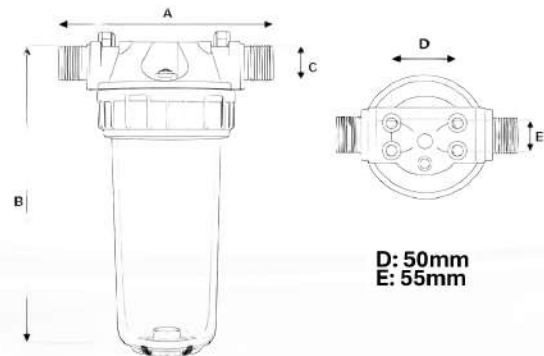
Bowl: San or PT

Certification: D.M. No. 174 & A.C.S.



Range of available products

Dimension (B)	Connection (C)	Width (A)	Master Box	Article code
5"	1/2"	355	24	FP3HYDRO105-D-5-12-B
5"	3/4"	355	24	FP3HYDRO105-D-5-34-B
5"	1"	355	24	FP3HYDRO105-D-5-10-B
7"	1/2"	355	24	FP3HYDRO105-D-7-12-B
7"	3/4"	355	24	FP3HYDRO105-D-7-34-B
7"	1"	355	24	FP3HYDRO105-D-7-10-B
8"	1/2"	355	24	FP3HYDRO105-D-8-12-B
8"	3/4"	355	24	FP3HYDRO105-D-8-34-B
8"	1"	355	24	FP3HYDRO105-D-8-10-B
9"3/4	1/2"	355	24	FP3HYDRO105-D-934-12-B
9"3/4	3/4"	355	24	FP3HYDRO105-D-934-34-B
9"3/4	1"	355	24	FP3HYDRO105-D-934-10-B
20"	1/2"	355	24	FP3HYDRO105-D-20-12-B
20"	3/4"	355	24	FP3HYDRO105-D-20-34-B
20"	1"	355	24	FP3HYDRO105-D-20-10-B



Additional products

Product Name	Size	Article code
Bracket FP3 - Blue	N/A	ACC-BRA-FP3-S
Universal Wrench - Blue	N/A	ACC-WR-UNIV
Wrench FP3 - Blue	N/A	ACC-WR-FP3
O-ring FP3 - Black	N/A	ACC-ORING
By-pass FP3	N/A	ACC-BYP-FP3

Filter housing systems



From 5" to 20"



Simplex, Duplex, Triplex...



Multiple head colors



With or without by-pass



Multiple bowl colors



2-Part filter housings



Big Blue



Compact filter housing



John Guest integrated

3-Part filter housing



Description

Three-piece plastic filter housing (head, sump and ring) designed for domestic and technical water treatment applications, suitable for potable and non-potable water. Manufactured from high-quality materials approved for drinking water contact, it ensures reliability, safety and long service life. The transparent SAN sump offers high impact resistance and allows instant visual inspection of the cartridge, simplifying maintenance and replacement. Compatible with standard cartridges, it efficiently removes sediments, chlorine, heavy metals and other contaminants from municipal water supplies.

Technical specifications

Maximum operating temperature: from + 5°C to + 50°C

Maximum operating pressure: 10 bar

Inserts: Brass

Head: Reinforced Polypropylene

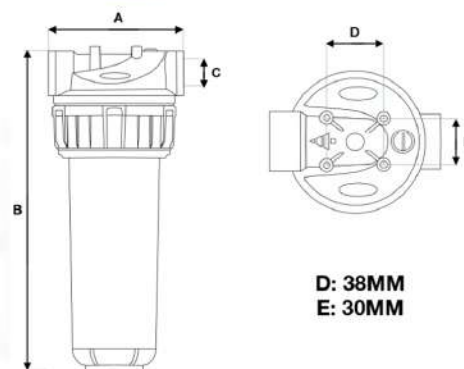
Head Colors: Blue, Black, White (other colors available on demand for large orders)

Bowl: San or PT

Certification: D.M. No. 174 & A.C.S.

Range of available products

Dimension (B)	Connection (C)	Width (A)	Master Box	Article code
5"	1/2"	129	24	FP3-S-5-12-B
5"	3/4"	129	24	FP3-S-5-34-B
5"	1"	129	24	FP3-S-5-10-B
7"	1/2"	129	18	FP3-S-7-12-B
7"	3/4"	129	18	FP3-S-7-34-B
7"	1"	129	18	FP3-S-7-10-B
8"	1/2"	129	12	FP3-S-8-12-B
8"	3/4"	129	12	FP3-S-8-34-B
8"	1"	129	12	FP3-S-8-10-B
9"3/4	1/2"	129	12	FP3-S-934-12-B
9"3/4	3/4"	129	12	FP3-S-934-34-B
9"3/4	1"	129	12	FP3-S-934-10-B
9"3/4	1"1/4	129	12	FP3-S-934-114-B
9"3/4	1"1/2	129	12	FP3-S-934-112-B
20"	1/2"	129	6	FP3-S-20-12-B
20"	3/4"	129	6	FP3-S-20-34-B
20"	1"	129	6	FP3-S-20-10-B
20"	1"1/4	129	6	FP3-S-20-114-B
20"	1"1/2	129	6	FP3-S-20-112-B



Additional products

Product Name	Size	Article code
Bracket FP3 - Blue	N/A	ACC-BRA-FP3-S
Universal Wrench - Blue	N/A	ACC-WR-UNIV
Wrench FP3 - Blue	N/A	ACC-WR-FP3
O-ring FP3 - Black	N/A	ACC-ORING
By-pass FP3	N/A	ACC-BYP-FP3

3-Part duplex filter housing



Description

Two-stage filter housing composed of two in-line plastic bodies (each with head, sump and ring), designed for domestic and technical water treatment applications. Suitable for potable and non-potable water, it provides effective two-phase filtration. The transparent SAN sumps allow immediate visual inspection, simplifying maintenance and cartridge replacement. Manufactured from high-quality materials approved for drinking water contact, it ensures durability and safety. The Duplex system combines two filtration technologies (e.g., sediment + activated carbon) for enhanced and more complete water treatment.

Technical specifications

Maximum operating temperature: from + 5°C to + 50°C

Maximum operating pressure: 10 bar

Inserts: Brass

Head: Reinforced Polypropylene

Head Colors: Blue, Black, White (other colors available on demand for large orders)

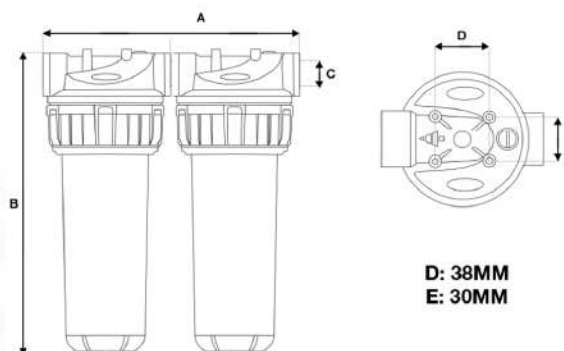
Bowl: San or PT

Certification: D.M. No. 174 & A.C.S.



Range of available products

Dimension (B)	Connection (C)	Width (A)	Master Box	Article code
5"	1/2"	270	9	FP3-D-5-12-B
5"	3/4"	270	9	FP3-D-5-34-B
5"	1"	270	9	FP3-D-5-10-B
7"	1/2"	270	6	FP3-D-7-12-B
7"	3/4"	270	6	FP3-D-7-34-B
7"	1"	270	6	FP3-D-7-10-B
8"	1/2"	270	6	FP3-D-8-12-B
8"	3/4"	270	6	FP3-D-8-34-B
8"	1"	270	6	FP3-D-8-10-B
9"3/4	1/2"	270	6	FP3-D-934-12-B
9"3/4	3/4"	270	6	FP3-D-934-34-B
9"3/4	1"	270	6	FP3-D-934-10-B
9"3/4	1"1/4	270	6	FP3-D-934-10-B
9"3/4	1"1/2	270	6	FP3-D-934-10-B
20"	1/2"	270	2	FP3-D-20-12-B
20"	3/4"	270	2	FP3-D-20-34-B
20"	1"	270	2	FP3-D-20-10-B
20"	1"1/4	270	2	FP3-D-20-10-B
20"	1"1/2	270	2	FP3-D-20-10-B



Additional products

Product Name	Size	Article code
Bracket FP3 duplex - Blue	N/A	ACC-BRA-FP3-S
Universal Wrench - Blue	N/A	ACC-WR-UNIV
Wrench FP3 - Blue	N/A	ACC-WR-FP3
O-ring FP3 - Black	N/A	ACC-ORING
By-pass FP3 Duplex	N/A	ACC-BYP-FP3-D

3-Part duplex filter housing



Description

Two-stage filter housing composed of two in-line plastic bodies (each with head, sump and ring), designed for domestic and technical water treatment applications. Suitable for potable and non-potable water, it provides effective two-phase filtration. The transparent SAN sumps allow immediate visual inspection, simplifying maintenance and cartridge replacement. Manufactured from high-quality materials approved for drinking water contact, it ensures durability and safety. The Duplex system combines two filtration technologies (e.g., sediment + activated carbon) for enhanced and more complete water treatment.

Technical specifications

Maximum operating temperature: from + 5°C to + 50°C

Maximum operating pressure: 10 bar

Inserts: Brass

Head: Reinforced Polypropylene

Head Colors: Blue, Black, White (other colors available on demand for large orders)

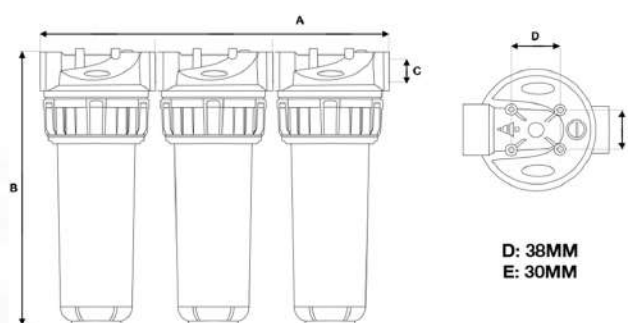
Bowl: San or PT

Certification: D.M. No. 174 & A.C.S.



Range of available products

Dimension (B)	Connection (C)	Width (A)	Master Box	Article code
5"	1/2"	420	9	FP3-T-5-12-B
5"	3/4"	420	9	FP3-T-5-34-B
5"	1"	420	9	FP3-T-5-10-B
7"	1/2"	420	6	FP3-T-7-12-B
7"	3/4"	420	6	FP3-T-7-34-B
7"	1"	420	6	FP3-T-7-10-B
8"	1/2"	420	4	FP3-T-8-12-B
8"	3/4"	420	4	FP3-T-8-34-B
8"	1"	420	4	FP3-T-8-10-B
9"3/4	1/2"	420	4	FP3-T-934-12-B
9"3/4	3/4"	420	4	FP3-T-934-34-B
9"3/4	1"	420	4	FP3-T-934-10-B
9"3/4	1"1/4	420	4	FP3-T-934-10-B
9"3/4	1"1/2	420	4	FP3-T-934-10-B
20"	1/2"	420	2	FP3-T-20-12-B
20"	3/4"	420	2	FP3-T-20-34-B
20"	1"	420	2	FP3-T-20-10-B
20"	1"1/4	420	2	FP3-T-20-10-B
20"	1"1/2	420	2	FP3-T-20-10-B



Additional products

Product Name	Size	Article code
Bracket FP3 triplex - Blue	N/A	ACC-BRA-FP3-S
Universal Wrench - Blue	N/A	ACC-WR-UNIV
Wrench FP3 - Blue	N/A	ACC-WR-FP3
O-ring FP3 - Black	N/A	ACC-ORING

2-Part filter housing



Description

Two-piece plastic filter housing (head and bowl) designed for domestic and technical water treatment applications, suitable for potable and non-potable water. Manufactured from high-quality materials approved for drinking water contact, it ensures safety, reliability and long-lasting performance. The transparent SAN bowl offers excellent impact resistance and allows instant visual inspection of the cartridge, simplifying maintenance and replacement. Compatible with standard filter cartridges for the removal of sediments, chlorine and other common contaminants.

Technical specifications

Maximum operating temperature: from + 5°C to + 50°C

Maximum operating pressure: 10 bar

Inserts: Brass

Head: Reinforced Polypropylene

Head Colors: Blue, Black, White (other colors available on demand for large orders)

Bowl: San or PT

Certification: D.M. No. 174 & A.C.S.

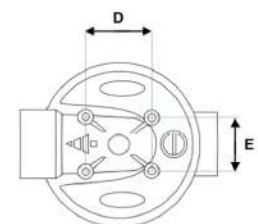
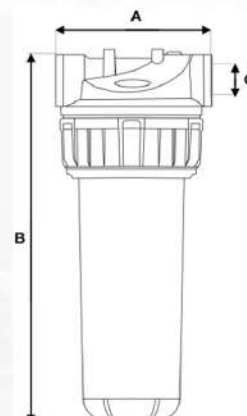


Range of available products

Dimension (B)	Connection (C)	Width (A)	Master Box	Article code
9"3/4	1/2"	126	12	FP2-S-934-12-B
9"3/4	3/4"	126	12	FP2-S-934-34-B
9"3/4	1"	126	12	FP2-S-934-10-B
9"3/4	John Guest 1/4" tubing 4/6	126	12	FP2/G-S-14-934-B

Additional products

Product Name	Size	Article code
Bracket FP3 - Blue	N/A	ACC-BRA-FP3-S
Wrench FP3 - Blue	N/A	ACC-WR-FP3
O-ring FP3 - Black	N/A	ACC-ORING
By-pass	N/A	ACC-BYP-S



D: 38MM
E: 30MM

2-Part filter housing



Description

Two-stage filter housing composed of two in-line plastic bodies, each with head and bowl, designed for domestic and technical applications requiring double water treatment. Suitable for potable and non-potable water, it ensures effective impurity removal through two consecutive filtration stages. The transparent SAN bowls allow instant visual inspection and easy maintenance. Manufactured from drinking-water-approved materials, it guarantees strength and durability. The Duplex system combines two filtration technologies (e.g., sediment + activated carbon) for more complete and efficient treatment.

Technical specifications

Maximum operating temperature: from + 5°C to + 50°C

Maximum operating pressure: 10 bar

Inserts: Brass

Head: Reinforced Polypropylene

Head Colors: Blue, Black, White (other colors available on demand for large orders)

Bowl: San or PT

Certification: D.M. No. 174 & A.C.S.

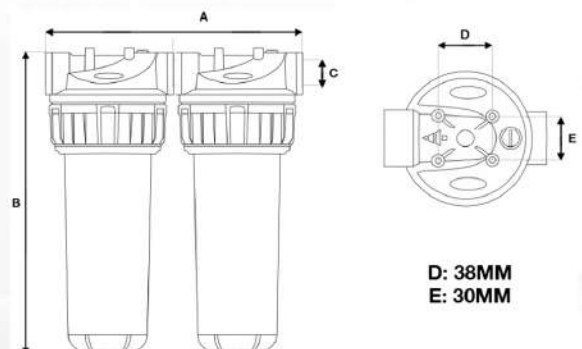


Range of available products

Dimension (B)	Connection (C)	Width (A)	Master Box	Article code
9"3/4	1/2"	270	6	FP2-D-934-12-B
9"3/4	3/4"	270	6	FP2-D-934-34-B
9"3/4	1"	270	6	FP2-D-934-10-B
9"3/4	John Guest 1/4" tubing 4/6	270	6	FP2/JG-D-14-934-B

Additional products

Product Name	Size	Article code
Bracket FP2 duplex - Blue	N/A	ACC-BRA-FP2-D
Wrench FP2 - Blue	N/A	ACC-WR-FP2
O-ring FP2 - Black	N/A	ACC-ORING
By-pass Duplex	N/A	ACC-BYP-D



2-Part triplex filter housing



Description

Two-stage filter housing composed of two in-line plastic bodies, each with head and bowl, designed for domestic and technical applications requiring double water treatment. Suitable for potable and non-potable water, it ensures effective impurity removal through two consecutive filtration stages. The transparent SAN bowls allow instant visual inspection and easy maintenance. Manufactured from drinking-water-approved materials, it guarantees strength and durability. The Duplex system combines two filtration technologies (e.g., sediment + activated carbon) for more complete and efficient treatment.

Technical specifications

Maximum operating temperature: from + 5°C to + 50°C

Maximum operating pressure: 10 bar

Inserts: Brass

Head: Reinforced Polypropylene

Head Colors: Blue, Black, White (other colors available on demand for large orders)

Bowl: San or PT

Certification: D.M. No. 174 & A.C.S.

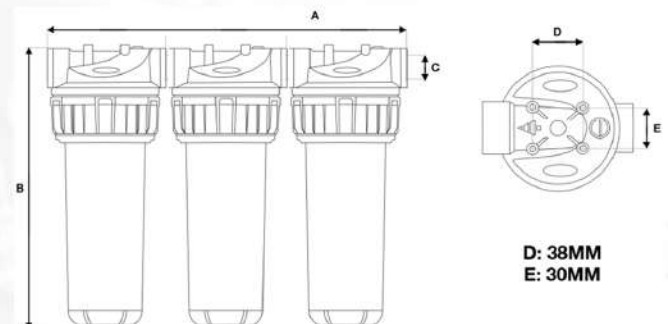


Range of available products

Dimension (B)	Connection (C)	Width (A)	Master Box	Article code
9"3/4	1/2"	410	4	FP2-T-934-12-B
9"3/4	3/4"	410	4	FP2-T-934-34-B
9"3/4	1"	410	4	FP2-T-934-10-B
9"3/4	John Guest 1/4" tubing 4/6	410	4	FP2JG-T-14-934-B

Additional products

Product Name	Size	Article code
Bracket FP2 triplex - Blue	N/A	ACC-BRA-FP2-D
Wrench FP2 - Blue	N/A	ACC-WR-FP2
O-ring FP2 - Black	N/A	ACC-ORING
By-pass Duplex	N/A	ACC-BYP-D



Eco mini filter housing



Description

5" Mini two-piece three-way plastic filter housing designed for domestic and technical water treatment of potable and non-potable water. Manufactured from high-quality materials approved for drinking water contact, it ensures safety, reliability and long-lasting performance. The transparent SAN bowl allows instant visual inspection and easy maintenance. Compatible with 5" cartridges (max Ø 52 mm), it can be installed in-line or in "L" configuration. Its compact design makes it ideal for confined spaces and small installations requiring safe, filtered water.



Technical specifications

Use: dual application possible; inline or 90° (elbow) outlet

Maximum operating temperature: from + 5°C to + 50°C

Maximum operating pressure: 10 bar

Inserts: Brass

Head: Reinforced Polypropylene

Head Colors: Blue, Black, White (other colors available on demand for large orders)

Bowl: San or PT

Certification: D.M. No. 174 & A.C.S.

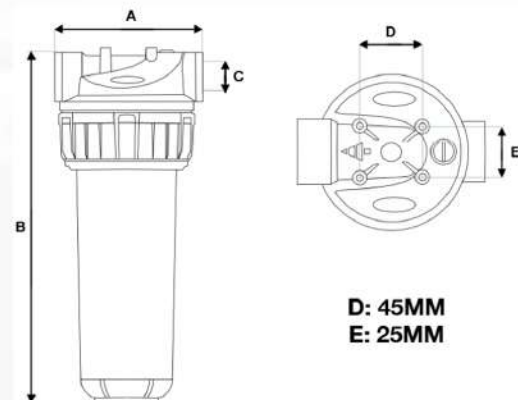


Range of available products

Dimension (B)	Connection (C)	Width (A)	Inside housing	Article code
5"	1/2"	95	Empty	ECO-S-5-12-B
5"	1/2"	95	Poly-phosphate	ECO-S-5-12-B-POL-W
5"	1/2"	95	Washable cartridge	ECO-S-5-12-B-CW-5-S-60

Additional products

Product Name	Size	Article code
Bracket FP2 - Blue	N/A	ACC-BRA-FP3-S
Wrench FP2 - Blue	N/A	ACC-WR-FP3
O-ring FP2 - Black	N/A	ACC-ORING
By-pass	N/A	ACC-BYP-S



Washing machine protection



Description

Washing machine protection filter, a compact and practical solution designed to protect appliances such as washing machines and dishwashers from impurities and limescale. Easy to install and replace, it helps extend appliance lifespan and maintain optimal performance. By reducing sediment buildup and scale formation, it minimizes breakdown risks, lowers maintenance costs and improves energy efficiency, ensuring more reliable and long-lasting operation.



Technical specifications

Use: dual application possible; inline or 90° (elbow) outlet

Maximum operating temperature: from + 5°C to + 40°C

Maximum operating pressure: 6 bar

Inserts: Threaded

Head: Reinforced Polypropylene

Head Colors: Blue, Black, White (other colors available on demand for large orders)

Bowl: San or PT

Certification: D.M. No. 174 & A.C.S.

Range of available products

Dimension (B)	Connection (C)	Width (A)	Inside housing	Article code
5"	3/4"	N/A	Empty	WMP-S-34-B
5"	3/4"	N/A	Poly-phosphate	WMP-S-34-B-POL



3-Part Brass filter housing



Description

Three-piece filter housing (head, bowl and ring nut) designed for domestic and technical water treatment applications, suitable for potable and non-potable water. The head and ring nut are made of brass, ensuring high mechanical strength, reliability and long-lasting performance, even under demanding conditions. The transparent SAN bowl allows quick visual inspection and easy maintenance. Manufactured from drinking-water-approved materials, it is compatible with standard cartridges for removing sediments, chlorine, heavy metals and other contaminants.



Technical specifications

Maximum operating temperature: from + 5°C to + 50°C

Maximum operating pressure: 10 bar

Inserts: Brass

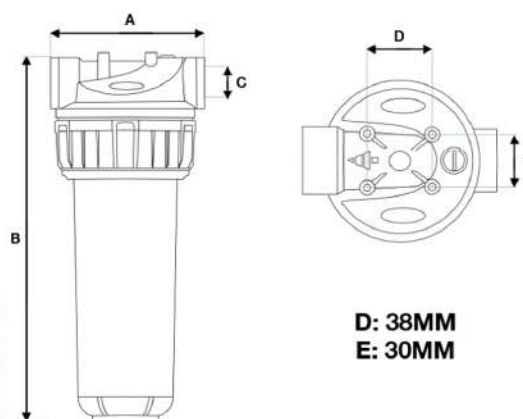
Head: Brass

Bowl: San or PT

Certification: D.M. No. 174 & A.C.S.

Range of available products

Dimension (B)	Connection (C)	Width (A)	Master Box	Article code
5"	3/4"	136	24	FB3-S-5-34-B
5"	1"	136	24	FB3-S-5-10-B
7"	3/4"	136	18	FB3-S-7-34-B
7"	1"	136	18	FB3-S-7-10-B
8"	3/4"	136	12	FB3-S-8-34-B
8"	1"	136	12	FB3-S-8-10-B
9"3/4	3/4"	136	12	FB3-S-934-34-B
9"3/4	1"	136	12	FB3-S-934-10-B
9"3/4	1"1/4	136	12	FB3-S-934-10-B
9"3/4	1"1/2	136	12	FB3-S-934-10-B
20"	3/4"	136	6	FB3-S-20-34-B
20"	1"	136	6	FB3-S-20-10-B
20"	1"1/4	136	6	FB3-S-20-10-B
20"	1"1/2	136	6	FB3-S-20-10-B



Additional products

Product Name	Size	Article code
Bracket FP3 - Blue	N/A	ACC-BRA-FP3-S
O-ring FP3 - Black	N/A	ACC-ORING
By-pass	N/A	ACC-BYP-S

3-Part Brass filter housing



Description

Three-piece filter housing (head, bowl and ring nut) designed for domestic and technical water treatment, suitable for potable and non-potable water. Manufactured from high-quality materials approved for drinking water contact, it ensures safety and durability. The transparent SAN bowl features a bottom drain valve, enabling quick flushing and cleaning without removing the cartridge, extending its service life and reducing maintenance time. Compatible with standard cartridges, it allows easy visual inspection and efficient system management.

Technical specifications

Maximum operating temperature: from + 5°C to + 50°C

Maximum operating pressure: 10 bar

Inserts: Brass

Head: Brass

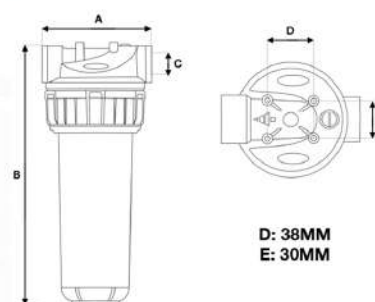
Bowl: San or PT

Certification: D.M. No. 174 & A.C.S.



Range of available products

Dimension (B)	Connection (C)	Width (A)	Master Box	Article code
9"3/4	1/2"	129	12	FP3-SC-934-12-B
9"3/4	3/4"	129	12	FP3-SC-934-34-B
9"3/4	1"	129	12	FP3-SC-934-10-B
9"3/4	1"1/4	129	12	FP3-SC-934-10-B
9"3/4	1"1/2	129	12	FP3-SC-934-10-B
20"	1/2"	129	6	FP3-SC-20-12-B
20"	3/4"	129	6	FP3-SC-20-34-B
20"	1"	129	6	FP3-SC-20-10-B
20"	1"1/4	129	6	FP3-SC-20-10-B
20"	1"1/2	129	6	FP3-SC-20-10-B
9"3/4	3/4"	136	12	FB3-SC-934-34-B
9"3/4	1"	136	12	FB3-SC-934-10-B
9"3/4	1"1/4	136	12	FB3-SC-934-10-B
9"3/4	1"1/2	136	12	FB3-SC-934-10-B
20"	3/4"	136	6	FB3-SC-20-34-B
20"	1"	136	6	FB3-SC-20-10-B
20"	1"1/4	136	6	FB3-SC-20-10-B
20"	1"1/2	136	6	FB3-SC-20-10-B



Additional products

Product Name	Size	Article code
Bracket FP3 - Blue	N/A	ACC-BRA-FP3-S
Universal Wrench - Blue	N/A	ACC-WR-UNIV
Wrench FP3 - Blue	N/A	ACC-WR-FP3
O-ring FP3 - Black	N/A	ACC-ORING
By-pass	N/A	ACC-BYP-S

Aqua Big Filter Housing



Description

Three-piece filter housing (head, bowl and ring nut) designed for domestic and technical water treatment, suitable for potable and non-potable water. Manufactured from high-quality materials approved for drinking water contact, it ensures safety and durability. The transparent SAN bowl features a bottom drain valve, enabling quick flushing and cleaning without removing the cartridge, extending its service life and reducing maintenance time. Compatible with standard cartridges, it allows easy visual inspection and efficient system management.

Technical specifications

Maximum operating temperature: from + 5°C to + 50°C

Maximum operating pressure: 10 bar

Inserts: Brass

Head: Brass

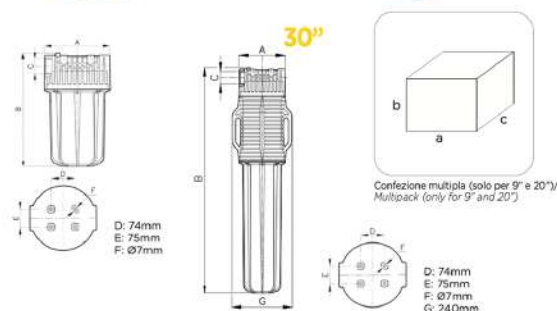
Bowl: San or PT

Certification: D.M. No. 174 & A.C.S.



Range of available products

Dimension (B)	Connection (C)	Size (AxB)	Master Box	Article code
9"3/4	1"	185x343	4	BIG-934-10
9"3/4	1"1/2	185x353	4	BIG-934-112
20"	1"	185x615	4	BIG-20-10
20"	1"1/2	185x625	4	BIG-20-112
30"	1"1/2	185x878	1	BIG-30-112



Additional products

Product Name	Size	Article code
Complete diffuser kit for Aqua Big opaque 9"3/4	N/A	ACC-BIG-DIF-934
Complete diffuser kit for Aqua Big opaque 20"	N/A	ACC-BIG-DIF-20
Complete diffuser kit for Aqua Big opaque 30"	N/A	ACC-BIG-DIF-30
Single metal bracket Aqua Big housing (10pcs./box)	N/A	ACC-BIG-BRA-S
Double metal bracket Aqua Big housing	N/A	ACC-BIG-BRA-D
Plastic wrench Aqua Big (70pcs./box)	N/A	ACC-BIG-WR-S
Screw kit Aqua Big	N/A	ACC-BIG-SCREW
Triple metal bracket Aqua Big housing	N/A	ACC-BIG-BRA-T
26mm adapter for Aqua big	N/A	FP3HYDRO105-S-8-10-B
34mm adapter for Aqua big	N/A	FP3HYDRO105-S-934-12-B



Big One Filter Housing



Description

Big One is a unique polypropylene housing for professional applications where high performances and reliable products are needed. Designed to treat high quantity of water, it's a two-pieces compact container, that can fit 23" and 40" filtering elements. The housing is made with 3" female In-Out threading without brass inserts, and it's equipped with, plastic drain plug and plastic relief valve. Big One is provided with a stainless steel clamp that enable to open and close (easily and quickly) the housing during maintenance operations. The housing is individually packed in carton box. BIGONE filter is suitable to fit all the cartridges FON type.

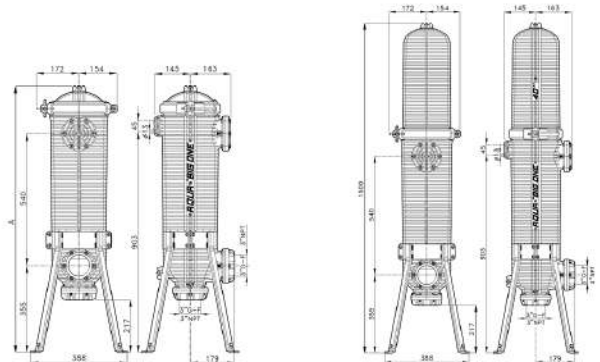
Technical specifications

Maximum operating temperature: +40°C
Maximum operating pressure: 6 bar
In-Out Connection: 3" F BSP threaded
Clamp & support: Epoxy painted steel
Body: PP
Capacity (empty) at 2 bar: 60m³/h
 Suitable to fit all the cartridges FON

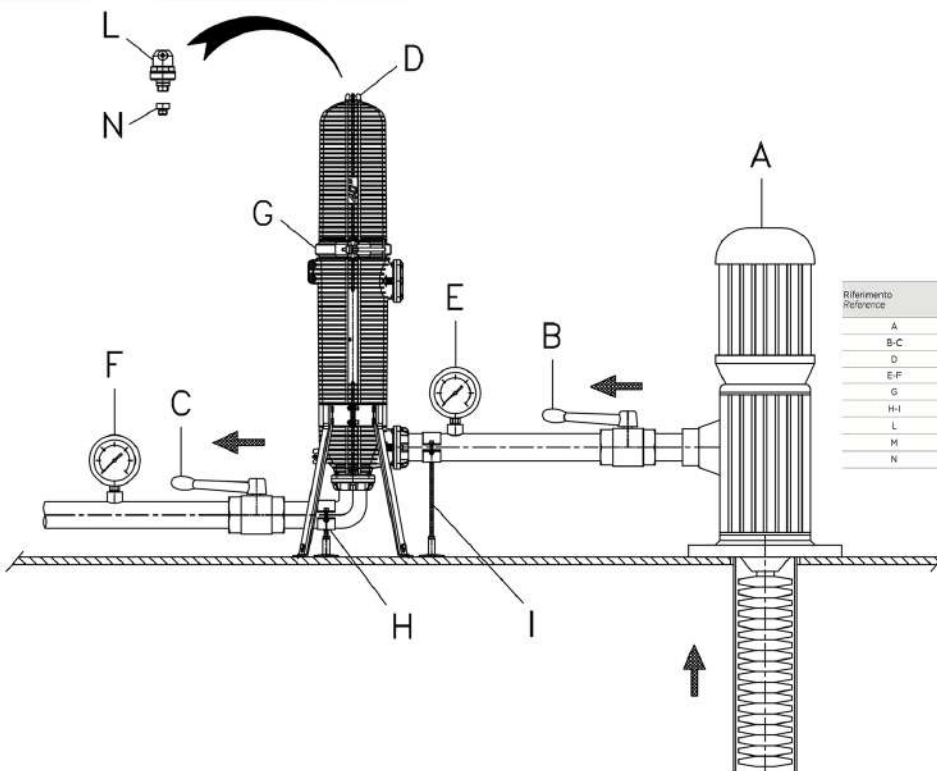


Range of available products

Product Name	Size	Article code
BIG ONE 23"	3" in/out (1090Hx388)	BIG-934-10
BIG ONE 40"	3" in/out (1500Hx388)	BIG-934-112



Installation scheme



Riferimento Reference	Descrizione Description
A	Pompa/Pump
B-C	Valvola/Valve
D	G 3/4 plug
E-F	Manometro 0-16 BAR/Pressure gauge 0-16 BAR
G	Bigone
H-I	Supporto tubo/Pipe support
L	Valvola di sfogo (non inclusa)/Air relief valve (not included)
M	AA010070 Valvola di sicurezza/AA010070 Safety valve
N	Adattatore M/F (non incluso)/Adapter M/F (not included)

Raw materials & in-house media production



PP Carded Yarn



Polyphosphate



Scan me to see production



Silico-Polyphosphate

Polyphosphate



Description

Polyphosphate filter designed to prevent limescale formation and protect plumbing systems and household appliances. Suitable for potable and non-potable water, it gradually releases food-grade polyphosphate crystals that help reduce scale deposits and corrosion inside pipes, boilers and washing machines. The transparent housing allows easy visual monitoring of the media level and simplifies refilling. Manufactured from high-quality materials approved for drinking water contact, it ensures reliable, safe and long-lasting protection.



Technical specifications

Appearance: Solid crystals

Color: White / transparent or Green / transparent

Odor: Odorless

Relative density: approx. 2.58 at 20°C

Solubility in water: Highly soluble

pH (10 g/l at 10°C): approx. 5.7

Storage: Stable under normal storage and operating conditions

Certification: Compliant with UNI EN 1208:2005 (Chemicals used for treatment of water intended for human consumption – Polyphosphates)

Raw materials analyzed according to:

- UNI EN 1208:2005
- EPA 6010 (ICP analysis)
- APAT CNR IRSA 4070

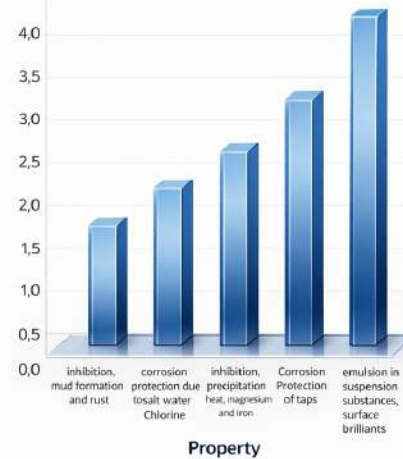
Range of available products

Product Name	Size	Article code
Polyphosphate - White	25kg pack	POL-W
Polyphosphate thin - White	25kg pack	POL-WT
Polyphosphate 0.5kg bag - White	0.5kg bag in 25kg pack	POL-W-B500
Polyphosphate thin 0.5kg bag - White	0.5kg bag in 25kg pack	POL-WT-B500
Polyphosphate 1kg bag - White	1kg bag in 25kg pack	POL-W-B1000
Polyphosphate thin 1kg bag - White	1kg bag in 25kg pack	POL-WT-B1000



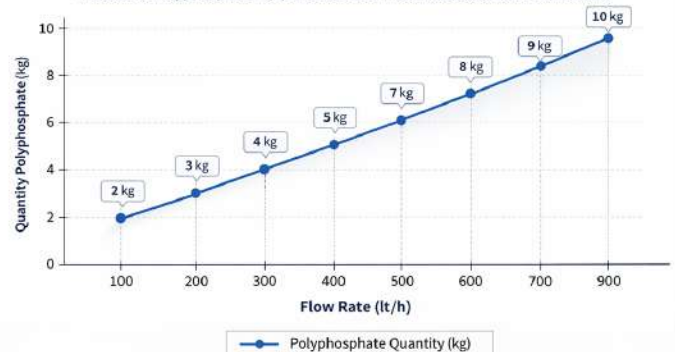
Scan me to see production

DOSAGE AND USED POLYPHOSPHATE



Flow Rate vs. Polyphosphate Quantity

Amount of Polyphosphate Required Based on Flow Rate (Standard Conditions)



Silico-polyphosphate



Description

Silico-polyphosphate media designed for advanced water treatment applications, providing dual protection against limescale formation and corrosion. Suitable for potable and non-potable water systems, it helps prevent scale deposits while forming a protective layer inside pipes and equipment, reducing oxidation and metal deterioration. Manufactured from high-quality materials suitable for contact with drinking water, it ensures long-lasting performance, system efficiency and extended lifespan of plumbing networks and household appliances.



Technical specifications

Appearance: Solid crystals

Color: Blue / transparent

Odor: Odorless

Solubility in water: Highly soluble

pH (10 g/l at 10°C): approx. 5.7

Storage: Stable under normal storage and operating conditions

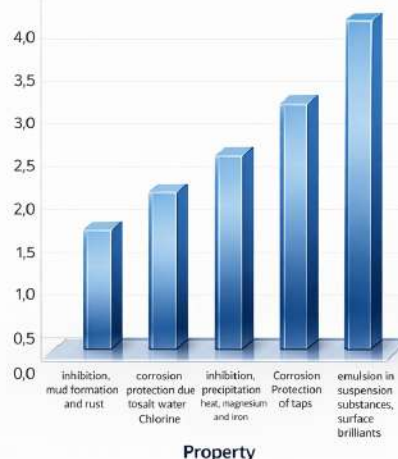
Range of available products

Product Name	Size	Article code
Silico-polyphosphate - Blue	25kg pack	SPOL-B
Silico-polyphosphate thin - Blue	25kg pack	SPOL-BT
Silico-polyphosphate 0.5kg bag - Blue	0.5kg bag in 25kg pack	SPOL-B-B500
Silico-polyphosphate thin 0.5kg bag - Blue	0.5kg bag in 25kg pack	SPOL-BT-B500
Silico-polyphosphate 1kg bag - Blue	1kg bag in 25kg pack	SPOL-B-B1000
Silico-polyphosphate thin 1kg bag - Blue	1kg bag in 25kg pack	SPOL-BT-B1000



Scan me to see production

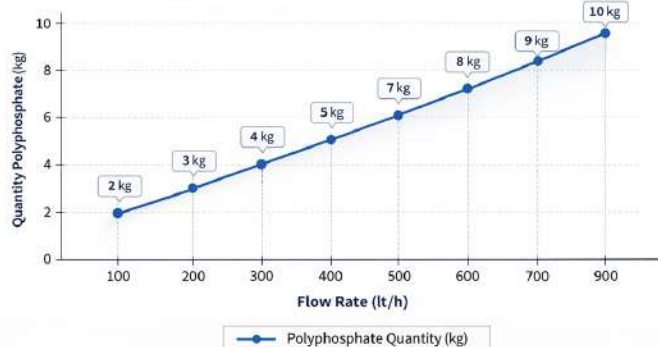
DOSAGE AND USED POLYPHOSPHATE



Dosage Polyphosphate In PPM

Flow Rate vs. Polyphosphate Quantity

Amount of Polyphosphate Required Based on Flow Rate (Standard Conditions)



100% PP Carded yarn



Description

High-quality 100% polypropylene carded yarn specifically developed for the production of wound filter cartridges. Engineered to ensure uniform winding, consistent density and optimal filtration performance, it provides excellent mechanical resistance and chemical stability. The material is suitable for contact with water intended for human consumption and complies with current positive lists for potable water applications. It guarantees reliable particle retention, structural integrity during operation and long service life in domestic and industrial water filtration systems.

Technical specifications

- Material:** 100% Polypropylene (PP)
- Structure:** Carded continuous fiber
- Suitable for wound cartridge production
- Excellent winding uniformity
- High mechanical resistance
- Low fiber shedding
- Compatible with potable water systems
- Compliant with positive lists for drinking water contact
- Stable under industrial processing conditions

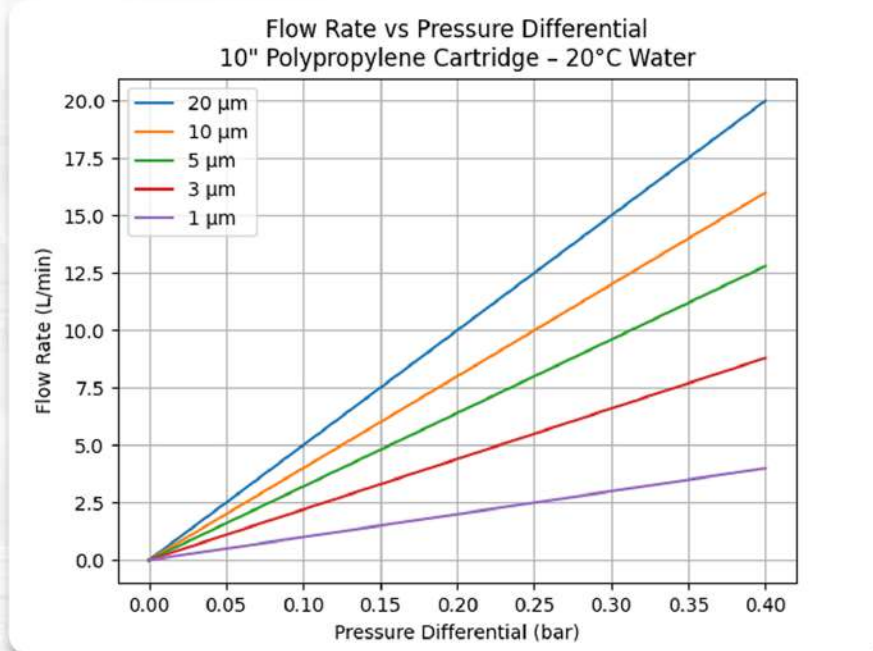


Range of available products

Product Name	Size	Article code
Carded yarn - White	25kg pack	YARN-W



Scan me
to see
production



Cartridge technologies



Sediment filter cartridge from 4" mini (~50mm) up to 40" jumbo (~100mm)



Container filter cartridge empty or filled

Washable filter cartridges



Filled wound filter cartridges



Scan me to see production

Wound sediment filter cartridge



Description

Polypropylene wound filter cartridge designed for effective sediment filtration. Ideal for removing sand, rust, dirt and suspended particles from water, it ensures reliable protection of plumbing systems and equipment. The depth-wound structure provides high dirt-holding capacity and consistent filtration performance, extending service life and reducing maintenance frequency. Suitable for domestic and industrial applications requiring clean and clear water on a daily basis.



Technical specifications

Maximum operating temperature: +90°C

Maximum operating pressure: 6.5 bar

Average duration: 6 to 12m depending on width

Filter material: 100% food-grade polypropylene

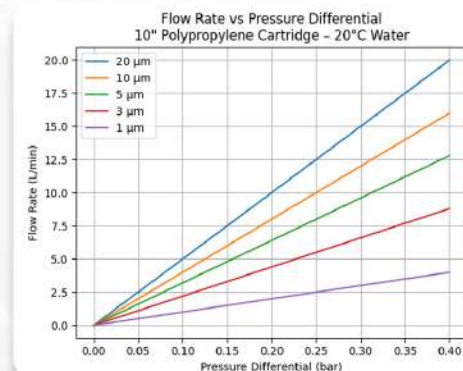
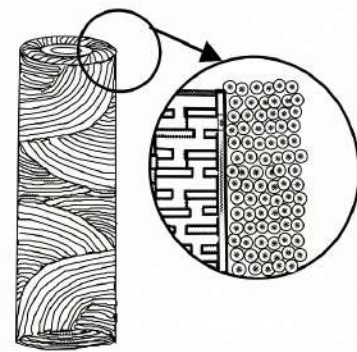
Core material: 100% food-grade polypropylene

Certification: D.M. No. 174 & A.C.S.

Filtration grade: 1 to 150µm

Range of available products

Dimension	Length (mm)	In diameter	Out diameter	Article code
4" Standard	102 – 105	28 - 29	59 – 60	CFA-4-S
5" Standard	126 – 129	28 - 29	59 – 60	CFA-5-S
5" Mini	126 – 129	28 - 29	49 – 51	CFA-5-M
7" Standard	178 – 181	28 - 29	59 – 60	CFA-7-S
7" Mini	178 – 181	28 - 29	49 – 51	CFA-7-M
9"3/4 Standard	250 – 252	28 - 29	59 – 60	CFA-934-S
9"3/4 Premium	250 – 252	28 - 29	65 – 67	CFA-934-P
9"3/4 Reduced	250 – 252	28 - 29	54 – 56	CFA-934-R
9"3/4 Jumbo	250 – 252	28 - 29	100 – 102	CFA-934-J
10" Standard	255 – 258	28 - 29	59 – 60	CFA-10-S
10" Premium	255 – 258	28 - 29	65 – 67	CFA-10-P
10" Reduced	255 – 258	28 - 29	54 – 56	CFA-10-R
10" Jumbo	255 – 258	28 - 29	100 – 102	CFA-10-J
20" Standard	509 – 512	28 - 29	59 – 61	CFA-20-S
20" Jumbo	509 – 512	28 - 29	100 – 102	CFA-20-J
30" Standard	763 – 766	28 - 29	59 – 61	CFA-30-S
30" Jumbo	763 – 766	28 - 29	100 – 102	CFA-30-J
40" Standard	1017 – 1020	28 - 29	59 – 61	CFA-40-S
40" Jumbo	1017 – 1020	28 - 29	100 – 102	CFA-40-J



Extruded Sediment filter cartridge

Description

Melt-blown polypropylene filter cartridge designed for efficient sediment removal and consistent filtration performance. Its gradient density structure captures particles throughout the entire depth of the media, ensuring high dirt-holding capacity and low pressure drop. Ideal for removing sand, rust, silt and suspended solids, it provides reliable protection for plumbing systems, appliances and industrial equipment. Suitable for domestic and technical applications requiring clean, clear and safe water.

Technical specifications

Maximum operating temperature: +90°C

Maximum operating pressure: 6.5 bar

Average duration: 6 to 12m depending on width

Filter material: 100% food-grade polypropylene

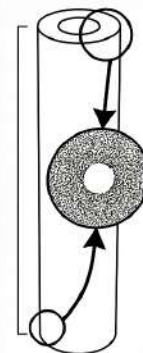
Core material: 100% food-grade polypropylene

Certification: A.C.S.

Filtration grade: 1 to 50µm

Range of available products

Dimension	Length (mm)	In diameter	Out diameter	Article code
7" Standard	178 - 181	28 - 29	59 - 60	CE-7-S
9"3/4 Standard	250 - 252	28 - 29	59 - 60	CE-934-S
9"3/4 Premium	250 - 252	28 - 29	65 - 67	CE-934-R
9"3/4 Jumbo	250 - 252	28 - 29	100 - 102	CE-934-J
20" Standard	509 - 512	28 - 29	59 - 61	CE-20-S
20" Jumbo	509 - 512	28 - 29	100 - 102	CE-20-J
30" Standard	763 - 766	28 - 29	59 - 61	CE-30-S
30" Jumbo	763 - 766	28 - 29	100 - 102	CE-30-J
40" Standard	1017 - 1020	28 - 29	59 - 61	CE-40-S
40" Jumbo	1017 - 1020	28 - 29	100 - 102	CE-40-J



Anti-bacterial wound sediment filter cartridge



Description

Anti-bacterial wound filter cartridge designed for efficient sediment filtration while helping to limit bacterial growth within the filter media. Ideal for removing sand, rust, dirt and suspended particles from water, it contributes to improved water clarity and protection of plumbing systems and equipment. The depth-wound structure offers high dirt-holding capacity and stable filtration performance over time. Enhanced with antibacterial properties, it helps maintain cleaner filtration conditions and extends cartridge lifespan. Suitable for both domestic and industrial applications requiring reliable and hygienic water filtration on a daily basis.

Technical specifications

Maximum operating temperature: +90°C

Maximum operating pressure: 6.5 bar

Average duration: 6 to 12m depending on width

Filter material: 100% food-grade polypropylene

Core material: 100% food-grade polypropylene

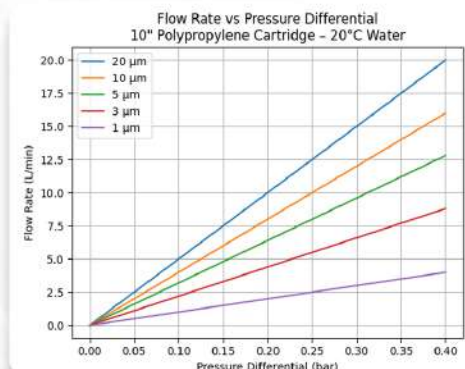
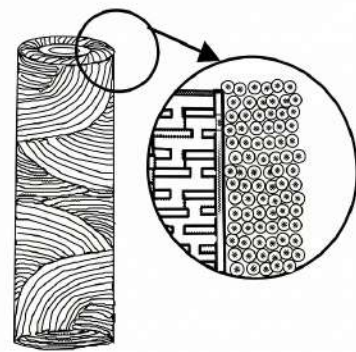
Certification: D.M. No. 174 & A.C.S.

Filtration grade: 1 to 150µm



Range of available products

Dimension	Length (mm)	In diameter	Out diameter	Article code
5" Standard	126 - 129	28 - 29	59 - 60	CFA-AB-5-S
7" Standard	178 - 181	28 - 29	59 - 60	CFA-AB-7-S
9"3/4 Standard	250 - 252	28 - 29	59 - 60	CFA-AB-934-S
10" Standard	255 - 258	28 - 29	59 - 60	CFA-AB-10-S
20" Standard	509 - 512	28 - 29	59 - 61	CFA-AB-20-S
30" Standard	763 - 766	28 - 29	59 - 61	CFA-AB-30-S
40" Standard	1017 - 1020	28 - 29	59 - 61	CFA-AB-40-S



Washable filter cartridges



Description

Versatile container cartridge filter designed for multiple water treatment applications. Available as empty housing or pre-filled versions (polyphosphate, silico-polyphosphate or activated carbon), it offers flexible solutions for scale prevention, corrosion protection and taste and odor improvement. The transparent container allows easy visual monitoring of the media level, simplifying maintenance and replacement. Manufactured from high-quality materials suitable for contact with drinking water, it ensures reliable performance and long service life. Ideal for domestic systems, household appliances and small technical installations requiring targeted water treatment.

Technical specifications

Maximum operating temperature: +90°C

Maximum operating pressure: 6.5 bar

Average duration: ~36m depending on width

Filter material: 100% food-grade polypropylene

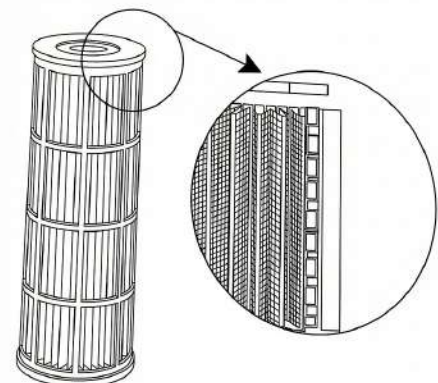
Core material: 100% food-grade polyethylen

Filtration grade: 60µm



Range of available products

Product Name	Width (mm)	Article code
5" Standard	70	CW-5-S-60
7" Standard	70	CW-7-S-60
9"3/4 Standard	70	CW-934-S-60
10" Standard	70	CW-10-S-60
20" Standard	70	CW-20-S-60
30" Standard	70	CW-30-S-60
40" Standard	70	CW-40-S-60



Container filter cartridges



Description

Versatile container cartridge filter designed for multiple water treatment applications. Available as empty housing or pre-filled versions (polyphosphate, silico-polyphosphate or activated carbon), it offers flexible solutions for scale prevention, corrosion protection and taste and odor improvement. The transparent container allows easy visual monitoring of the media level, simplifying maintenance and replacement. Manufactured from high-quality materials suitable for contact with drinking water, it ensures reliable performance and long service life. Ideal for domestic systems, household appliances and small technical installations requiring targeted water treatment.



Technical specifications

Maximum operating temperature: +90°C

Maximum operating pressure: 6.5 bar

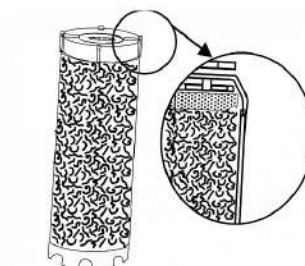
Average duration: ~12m depending on width

Filter material: 100% food-grade polypropylene

Core material: 100% food-grade polypropylene

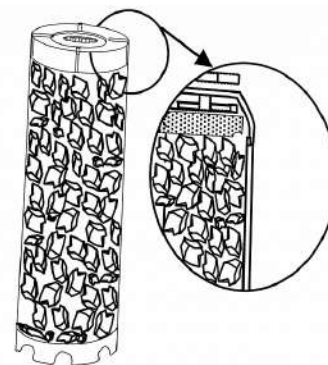
Certification: A.C.S.

Filtration grade: 1 to 50µm



Range of available products

Model	Inside material	Diameter (mm)	Weight of material	Article code
9"3/4 Transparent	Empty	70	N/A	CEC-934
9"3/4 Transparent	Polyphosphate	28 - 29	650-700g	CPC-934
9"3/4 Transparent	Silico-Polyphosphate	28 - 29	650-700g	CSPC-934
9"3/4 Transparent	Activated carbon	28 - 29	250-300g	CAC-934
20" Transparent	Empty	28 - 29	N/A	CE-20
20" Transparent	Polyphosphate	28 - 29	1.3-1.4kg	CPC-20
20" Transparent	Silico-Polyphosphate	28 - 29	1.3-1.4kg	CSPC-20
20" Transparent	Activated carbon	28 - 29	0.5-0.6kg	CAC-20
9"3/4 Opaque	Empty	28 - 29	N/A	CEC-934-O
9"3/4 Opaque	Polyphosphate	28 - 29	650-700g	CPC-934-O
9"3/4 Opaque	Silico-Polyphosphate	28 - 29	650-700g	CSPC-934-O
9"3/4 Opaque	Activated carbon	28 - 29	250-300g	CAC-934-O
20" Opaque	Empty	28 - 29	N/A	CEC-20-O
20" Opaque	Polyphosphate	28 - 29	1.3-1.4kg	CPC-20-O
20" Opaque	Silico-Polyphosphate	28 - 29	1.3-1.4kg	CSPC-20-O
20" Opaque	Activated carbon	28 - 29	0.5-0.6kg	CAC-20-O



Filled wounded filter cartridges



Description

Wound filter cartridge available in activated carbon or polyphosphate versions, designed to provide targeted water treatment solutions. The wound outer layer ensures effective sediment pre-filtration, removing sand, rust and suspended particles. The activated carbon version improves taste and odor by reducing chlorine and organic compounds, while the polyphosphate version helps prevent limescale formation and protects plumbing systems and appliances. Ideal for domestic and technical applications requiring enhanced water quality and system protection.



Technical specifications

Maximum operating temperature: +90°C

Maximum operating pressure: 6.5 bar

Average duration: ~12m

Filter material: 100% food-grade PP

Core material: 100% food-grade PP

Filtration grade: 1 to 100µm



Range of available products

Model	Inside material	Diameter (mm)	Weight of material	Article code
5"	Polyphosphate	65-67	~150g	CE-934
7"	Polyphosphate	28 - 29	~200g	CPC-934
9"3/4	Polyphosphate	28 - 29	~300g	CSPC-934
10"	Polyphosphate	28 - 29	~300g	CAC-934
20"	Polyphosphate	28 - 29	~600g	CE-20
30"	Polyphosphate	28 - 29	~900g	CPC-20
40"	Polyphosphate	28 - 29	~1.2kg	CSPC-20
5"	Activated carbon	28 - 29	~75g	CFAAC-5-S
7"	Activated carbon	28 - 29	~105g	CFAAC-7-S
9"3/4	Activated carbon	28 - 29	~150g	CFAAC-934-S
10"	Activated carbon	28 - 29	~150g	CFAAC-10-S
20"	Activated carbon	28 - 29	~300g	CFAAC-20-S
30"	Activated carbon	28 - 29	~450g	CFAAC-30-S
40"	Activated carbon	28 - 29	~600g	CFAAC-40-S
9"3/4	Silico-Polyphosphate	28 - 29	~300g	CFASPC-934-S
20"	Silico-Polyphosphate	28 - 29	~600g	CFASPC-20-S

PolyBlue Anti-Scale Cartridge



Description

PolyBlue Anti-Scale Cartridge is a concentrated polyphosphate refill cartridge designed to protect water systems against limescale buildup and corrosion. Its advanced formula helps preserve the efficiency and lifespan of pipes, boilers, water heaters, and household appliances by reducing mineral deposits inside the system.

The cartridge ensures consistent and precise dosing while maintaining optimal water flow and system performance. Easy to install and universally compatible with most dosing units, it is an ideal solution for domestic and technical water treatment applications requiring reliable anti-scale protection.

Technical specifications

Maximum operating temperature: +25°C

Maximum operating pressure: 6.5 bar

Average duration: ~6m

Filter material: Polyphosphate

Core material: 100% food-grade PP



Range of available products

Product Name	Size	Article code
PolyBlue Refill Pack – 6 Cartridges	N/A	CPAS-S
PolyBlue Plus + Refill Pack – 6 Cartridges	N/A	CPAS-P





PolyFiltration

Professional Water Treatment Solutions

Your trusted partner for pure and healthy water



PERFORMANCE

Reliable and efficient filtration solutions.



QUALITY

Carefully selected products to ensure high-quality water.



SUSTAINABILITY

An eco-responsible approach to preserve water resources and the environment.



www.polyfiltration.com



andrea@polyfiltration.com



+33 6 09 12 81 60